

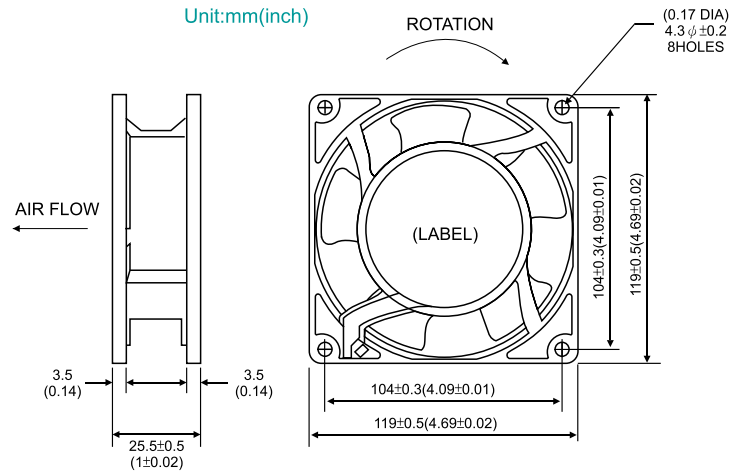


A12025 Series

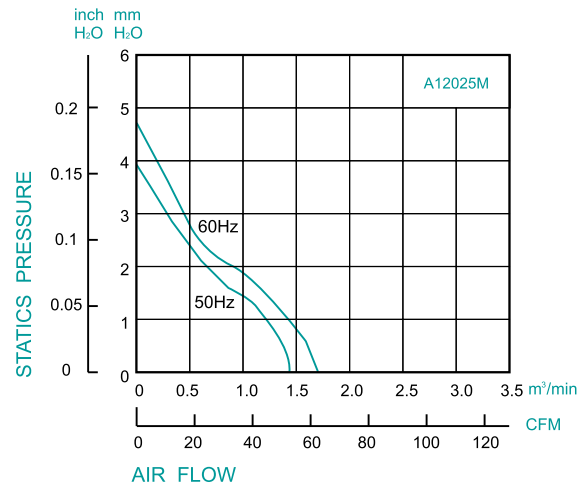
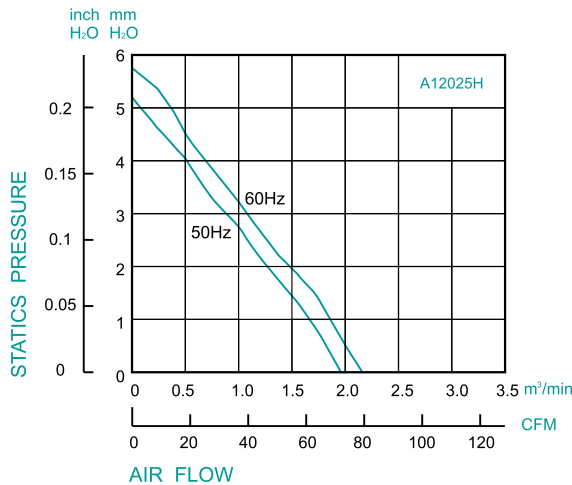
Size: 119x119x25mm(4.7"x4.7"x1")

- HOUSING : Die - Cast Aluminum, Painted Black
- IMPELLER : Thermoplastic PBT,UL94V-0
- BEARING : Sleeve or Ball
- TERMINATION : Terminals or Lead Wire
- OPERATING VOLTAGE RANGE : 85 VAC to 125 VAC for 115 V Type
185 VAC to 245 VAC for 230 V Type
- DIELECTRIC STRENGTH : 1,500 VAC for 1 minute
- INSULATION : Class B
- INSULATION RESISTANCE : 100,000 Ohms min. @500 VDC
- OPERATING TEMPERATURE : -10°C to + 70°C for Sleeve Type
-20°C to + 80°C for Ball Type
- SAFETY : Impedance Protected
- WEIGHT : 346g (12 oz.)

DIMENSION



AIR PERFORMANCE



SPECIFICATION

MODEL NO.	RATED VOLTAGE (V)	FREQUENCY (Hz)	RATED CURRENT (A)	INPUT POWER (W)	SPEED (RPM)	AIR FLOW		NOISE dB(A) @1M
						CFM	m ³ /min	
A12025V1H	115	50 / 60	0.15 / 0.12	14 / 11	2600 / 3000	70 / 81	1.90 / 2.20	38 / 42
A12025V1M	115	50 / 60	0.15 / 0.13	8 / 7	1900 / 2200	51 / 61	1.40 / 1.70	31 / 33
A12025V2H	230	50 / 60	0.07 / 0.06	12 / 10	2600 / 3000	70 / 81	1.90 / 2.20	38 / 42
A12025V2M	230	50 / 60	0.07 / 0.06	8 / 7	1900 / 2200	51 / 61	1.40 / 1.70	31 / 33
A12025V2L	230	50 / 60	0.035 / 0.03	7 / 6	1700 / 1900	46 / 51	1.30 / 1.40	29 / 31