



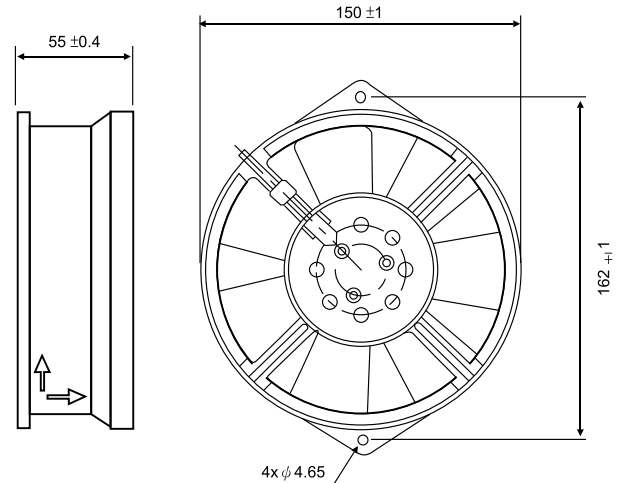
# A15055M Series

Size: 150x172x55mm(5.9"x6.77"x2.17")

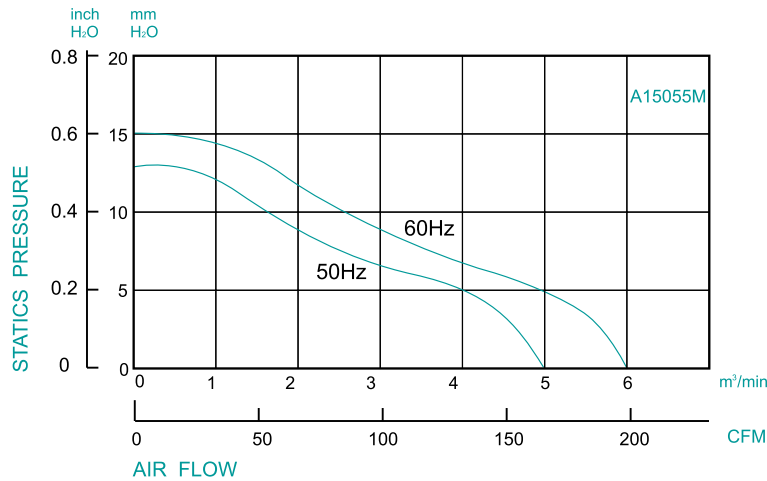
### DIMENSION

Unit:mm(inch)

HOUSING : All Metal Die -Cast Aluminum, Painted Black  
 IMPELLER : Metal  
 BEARING : Ball  
 MOTOR TYPE : Outer Rotor, Shaded Polo Motor  
 TERMINATION : Load wire  
 DIELECTRIC STRENGTH : 1,500 VAC for 1 minute  
 INSULATION : Class B  
 INSULATION RESISTANCE : 100,000 Ohms min. @500 VDC  
 OPERATING TEMPERATURE : Ball Bearing -30 °C to + 75°C  
 SAFETY : Impedance Protected (Auto Restart) WEIGHT : 1 kg (35.27 oz.)



### AIR PERFORMANCE



### SPECIFICATION

MODEL NO.	RATED VOLTAGE (V)	FREQUENCY (Hz)	RATED CURRENT (A)	INPUT POWER (W)	SPEED (RPM)	AIR FLOW		NOISE dB(A) @ 1M
						CFM	m <sup>3</sup> /min	
A15055V1HBM	115	50 / 60	0.64 / 0.54	48 / 46	2750 / 3100	200 / 240	5.66 / 6.79	50 / 53
A15055V2HBM	230	50 / 60	0.30 / 0.24	46 / 44	2750 / 3100	200 / 240	5.66 / 6.79	50 / 53