



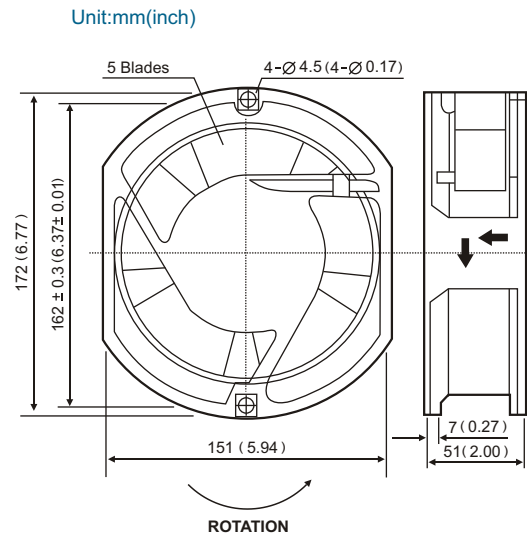
A17251DV Series

Size: 172x151x51mm (6.77"x5.94"x2")

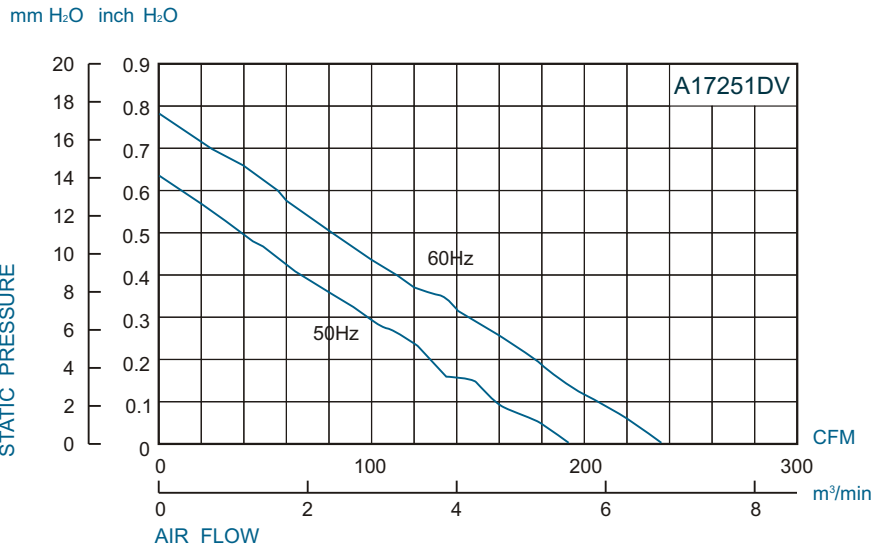
DAUL VOLTAGE

DIMENSION

- HOUSING** : Die - Cast Aluminum, Painted Black
- IMPELLER** : Thermoplastic PBT, UL94V - 0
- BEARING** : Ball
- TERMINATION** : Lead Wire
- MOTOR TYPE** : Shaded Pole motor
- START VOLTAGE** : 85 VAC for 115 VAC Type
185 VAC for 230 VAC Type
- DIELECTRIC STRENGTH** : 1,500 VAC for 1 minute
- INSULATION** : Class A
- INSULATION RESISTANCE** : 100,000 Ohms min. @500 VDC
- OPERATING TEMPERATURE** : -20°C to + 80°C
- SAFETY** : Impedance Protected
- WEIGHT** : 1Kg (35 oz.)



AIR PERFORMANCE



SPECIFICATION

MODEL NO.	RATED VOLTAGE (V)	FREQUENCY (Hz)	RATED CURRENT (A)	INPUT POWER (W)	SPEED (RPM)	AIR FLOW		NOISE dB(A) @ 1M
						CFM	m ³ /min	
A17251V1DVH	115	50 / 60	0.43 / 0.40	49.5 / 46	2800 / 3100	190 / 238	5.4 / 6.3	50 / 55
A17251V2DVH	230	50 / 60	0.22 / 0.20	50.6 / 46	2800 / 3100	190 / 238	5.4 / 6.3	50 / 55