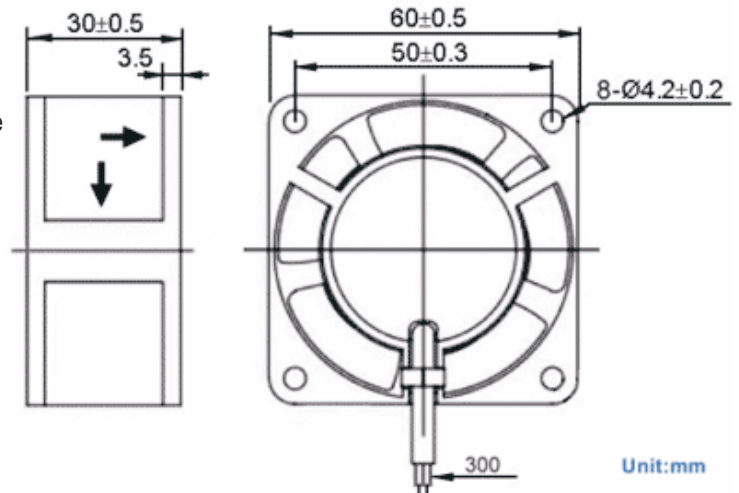


# A6030 Series

Size: 60x60x30mm (2.36"x2.36"x1.18")

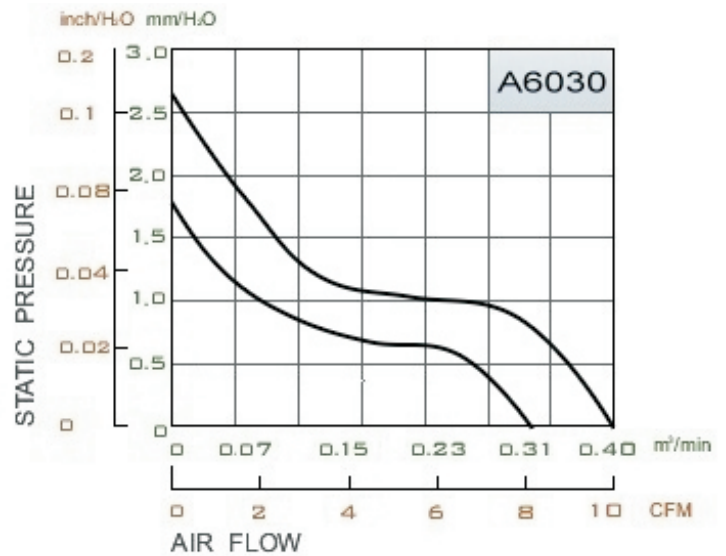
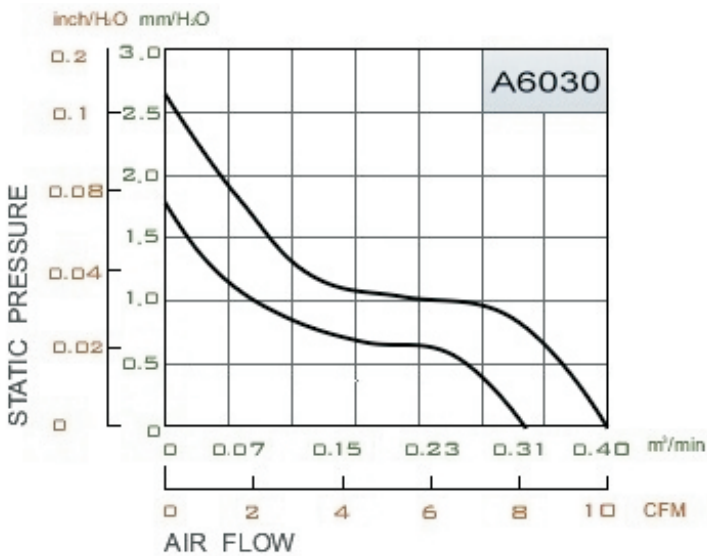


### DIMENSION



HOUSING : Die - Cast Aluminum, Painted Black  
 IMPELLER : Thermoplastic PBT, UL94V - 0  
 BEARING : Ball  
 TERMINATION : Lead wire  
 OPERATING VOLTAGE RANGE : 85 VAC to 125 VAC for 115 V Type  
 185 VAC to 245 VAC for 230 V Type  
 DIELECTRIC STRENGTH : 1,500 VAC for 1 minute  
 INSULATION : Class B  
 INSULATION RESISTANCE : 100,000 Ohms min. @500 VDC  
 OPERATING TEMPERATURE : -20 °C to + 70°C  
 SAFETY : Impedance Protected  
 WEIGHT : 140g (10 oz.)

### AIR PERFORMANCE



### SPECIFICATION

MODEL NO.	RATED VOLTAGE (V)	FREQUENCY (Hz)	RATED CURRENT (A)	INPUT POWER (W)	SPEED (RPM)	AIR FLOW		NOISE dB(A) @ 1M
						CFM	m <sup>3</sup> /min	
A6030V1H	115	50 / 60	0.04 / 0.03	5 / 4	2550 / 3100	5.1 / 10.24	0.23 / 0.29	27 / 28
A6030V1H	230	50 / 60	0.02 / 0.16	5 / 4	2550 / 3100	8.10 / 10.24	0.23 / 0.29	27 / 28