



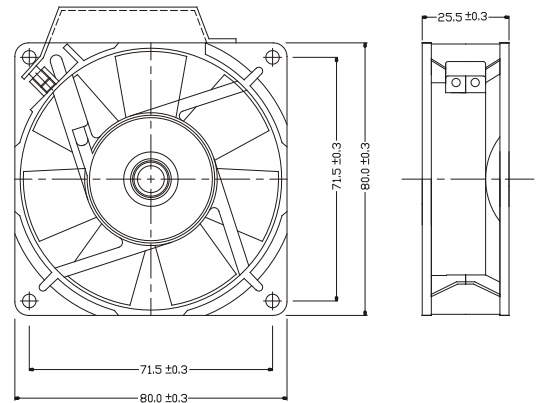
A8025P Series

Size: 80x80x25mm (3.15"x3.15"x1")

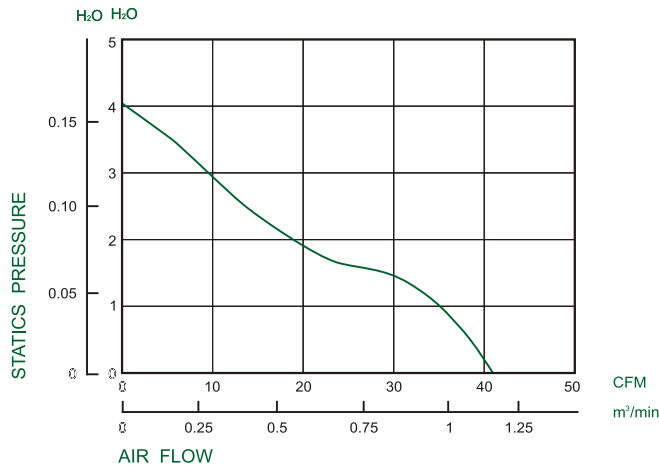
DIMENSION

Unit:mm(inch)

- HOUSING** : Thermoplastic PBT, UL94V-0
- IMPELLER** : Thermoplastic PBT, UL94V-0
- BEARING** : Ball or Sleeve
- TERMINATION** : Lead Wire
- OPERATING TEMPERATURE** : Sleeve Bearing -10°C to +70°C
Ball Bearing -30°C to +75°C
- INSULATION RESISTANCE** : 10 meg Ohms Min. @ 500 VDC
(Between Frame and Terminal)
- DIELECTRIC STRENGTH** : 5 mA Max. at 500 VAC 60 Hz
for 1 minute
(Between Frame and Terminal)
- WEIGHT** : 100g (3.4 oz.)



AIR PERFORMANCE



SPECIFICATION

MODEL Number	RATED VOLTAGE (V)	Frequency (Hz)	Rated Current (A)	INPUT POWER (W)	SPEED (RPM)	AIR FLOW		Max. Air Pressure		NOISE dB(A) @1M
						CFM	m ³ /min	mmH ₂ O	LnchH ₂ O	
A8025V1P	115	50/60	0.2/0.2	0.008 / 0.008	3371/3371	42.20/42.20	1.20/1.20	0.006/0.006	0.0002/0.0002	37
A8025V2P	230	50/60	0.2/0.2	0.008 / 0.008	3371/3371	42.20/42.20	1.20/1.20	0.006/0.006	0.0002/0.0002	37