



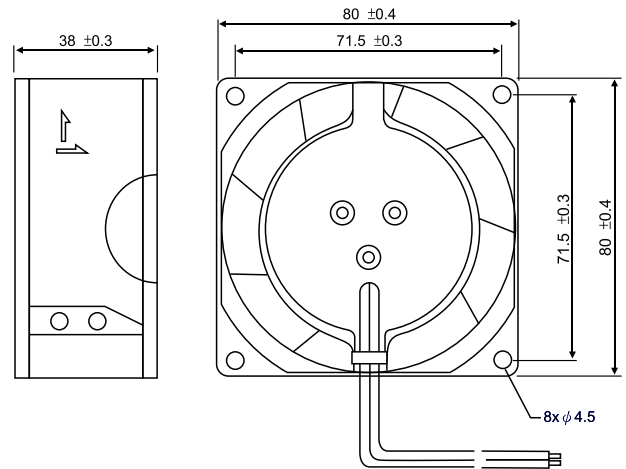
# A8038M Series

Size: 80x80x38mm (3.15"x3.15"x1.5")

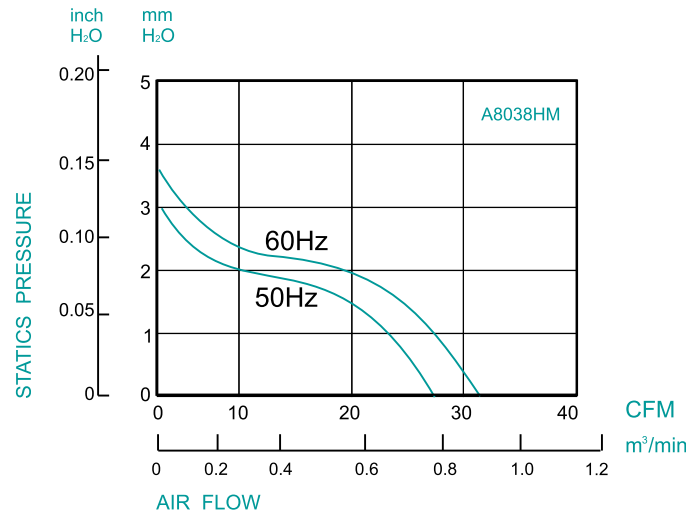
## DIMENSION

Unit:mm(inch)

- HOUSING : All Metal Die -Cast Aluminum, Painted Black
- IMPELLER : Metal
- BEARING : Sleeve or Ball
- MOTOR TYPE : Outer Rotor, Shaded Polo Motor
- TERMINATION : Load Wire
- DIELECTRIC STRENGTH : 1,500 VAC for 1 minute
- INSULATION : Class B
- INSULATION RESISTANCE : 100,000 Ohms min. @500 VDC
- OPERATING TEMPERATURE : Sleeve Bearing -10°C to + 70°C  
Ball Bearing -30°C to + 75°C
- SAFETY : Impedance Protected
- WEIGHT : 420g (14.81 oz.)



## AIR PERFORMANCE



## SPECIFICATION

MODEL NO.	RATED VOLTAGE (V)	FREQUENCY (Hz)	RATED CURRENT (A)	INPUT POWER (W)	SPEED (RPM)	AIR FLOW		NOISE dB(A) @ 1M
						CFM	m <sup>3</sup> /min	
A8038V1HM	115	50 / 60	0.13 / 0.18	11 / 10	2700 / 3100	26 / 32	0.74 / 0.91	33 / 36
A8038V2HM	230	50 / 60	0.075 / 0.085	13 / 12	2700 / 3100	26 / 32	0.74 / 0.91	33 / 36
A8038V1LM	115	50 / 60	0.12 / 0.15	10 / 9	2150 / 2500	22 / 26	0.62 / 0.74	37 / 31
A8038V2LM	230	50 / 60	0.075 / 0.085	13 / 12	2150 / 2500	22 / 26	0.62 / 0.74	37 / 31