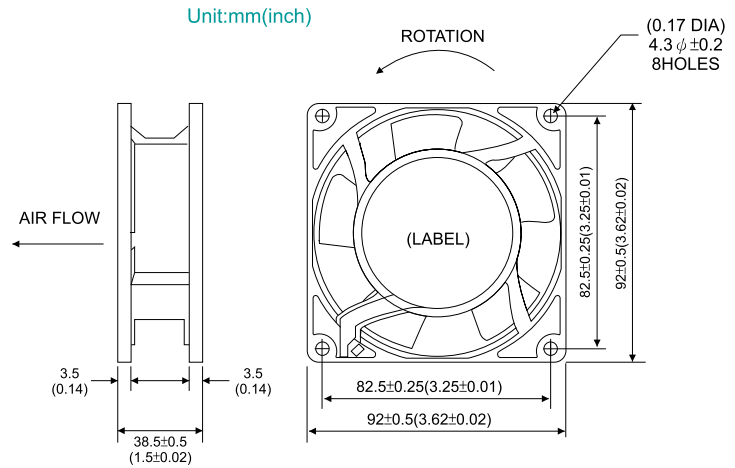


A9238 Series

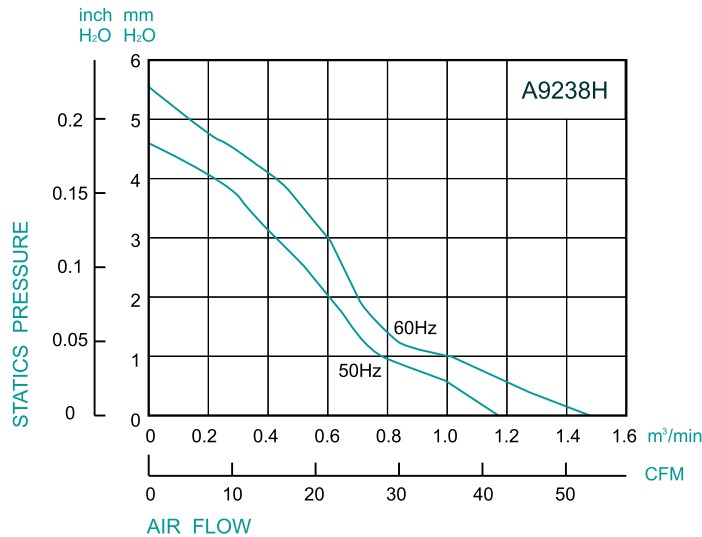
Size: 92x92x38mm (3.62"x3.62"x1.5")

DIMENSION

- HOUSING : Die - Cast Aluminum, Painted Black
- IMPELLER : Injection Molded of Flame Retardant Polycarbonate, Black
- BEARING : Sleeve or Ball
- TERMINATION : Terminals or Lead wire
- OPERATING VOLTAGE RANGE : 85 VAC to 125 VAC for 115 V Type
185 VAC to 245 VAC for 230 V Type
- DIELECTRIC STRENGTH : 1,500 VAC for 1 minute
- INSULATION : Class B
- INSULATION RESISTANCE : 100,000 Ohms min. @500 VDC
- OPERATING TEMPERATURE : -10 °C to + 70°C for Sleeve Type
-20 °C to + 80°C for Ball Type
- SAFETY : Impedance Protected
- WEIGHT : 446g (14.9 oz.)



AIR PERFORMANCE



SPECIFICATION

MODEL NO.	RATED VOLTAGE (V)	FREQUENCY (Hz)	RATED CURRENT (A)	INPUT POWER (W)	SPEED (RPM)	AIR FLOW		NOISE dB(A) @ 1M
						CFM	m ³ /min	
A9238V1H	115	50 / 60	0.19 / 0.15	14 / 12	2750 / 3250	43 / 50	1.19 / 1.42	43 / 45
A9238V2H	230	50 / 60	0.09 / 0.07	13 / 11	2750 / 3250	43 / 50	1.19 / 1.42	43 / 45