



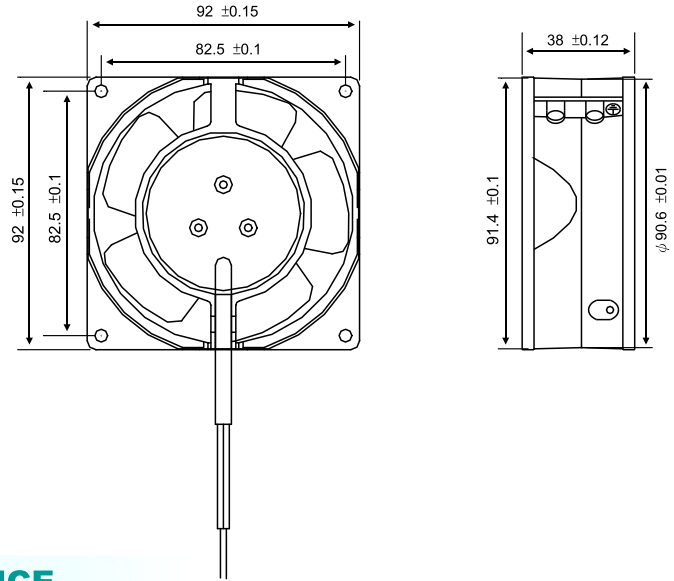
A9238M Series

Size: 92x92x38mm (3.62"x3.62"x1.50")

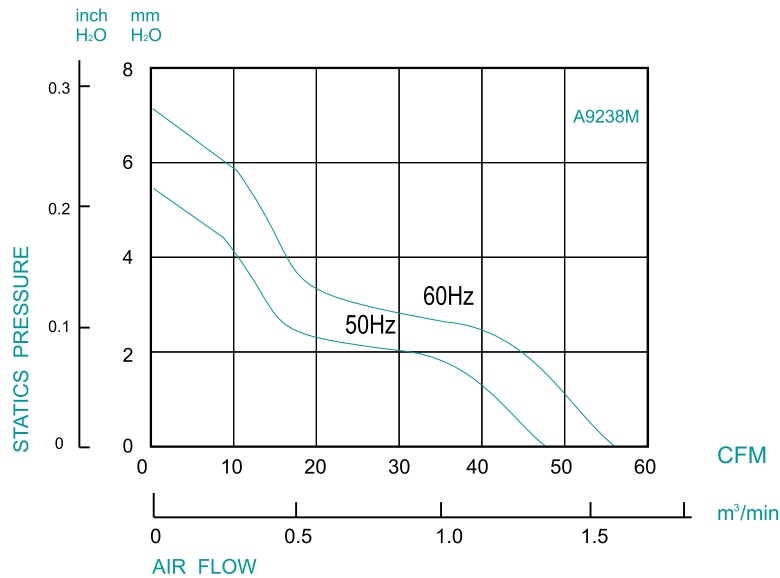
DIMENSION

Unit:mm(inch)

HOUSING : Die - Cast Aluminum, Painted Black
 IMPELLER : Metal
 BEARING : Sleeve or Ball
 MOTOR TYPE : Outer Rotor, Shaded Pole Motor
 TERMINATION : Load Wire
 DIELECTRIC STRENGTH : 1,500 VAC for 1 minute
 INSULATION : Class B
 INSULATION RESISTANCE : 100,000 Ohms min. @500 VDC
 OPERATING TEMPERATURE : -30°C to + 75°C for Ball Typo
 -10°C to + 70°C for Sleeve Typo
 SAFETY : Impedance Protected
 WEIGHT : 420g (15 oz.)



AIR PERFORMANCE



SPECIFICATION

MODEL NO.	RATED VOLTAGE (V)	FREQUENCY (Hz)	RATED CURRENT (A)	INPUT POWER (W)	SPEED (RPM)	STATICT PEESSURE (mmH2O)	MAXIMUM AIR PEESSURE		NOISE dB(A) @ 1M
							CFM	m³/min	
A9238V1HM	115	50 / 60	0.25 / 0.24	15 / 13	2600 / 3000	5.40 / 6.90	47 / 55	1.33 / 1.56	38 / 43
A9238V2HM	230	50 / 60	0.15 / 0.14	16 / 14	2600 / 3000	5.40 / 6.90	47 / 55	1.33 / 1.56	38 / 43