

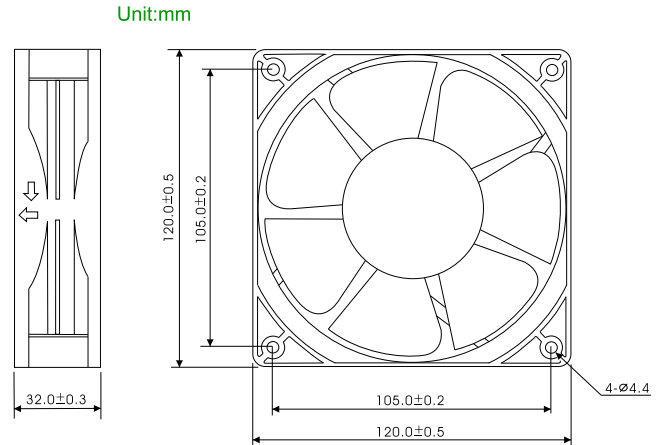


D12032 Series

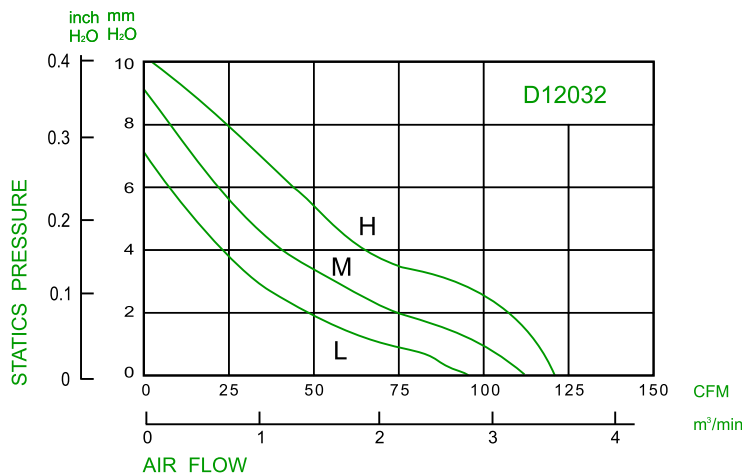
Size: 120x120x32mm (4.72"x4.72"x1.26")

DIMENSION

HOUSING : Thermoplastic PBT, UL94V-0
 IMPELLER : Thermoplastic PBT, UL94V-0 BEARING : Sleeve or Ball
 OPERATING TEMPERATURE : Sleeve Bearing:- 10°C to + 70°C
 Ball Bearing:- 30°C to + 75°C
 INSULATION RESISTANCE : 10 meg Ohms Min. @ 500 VDC
 (Between Frame and Terminal)
 DIELECTRIC STRENGTH : 5 mA Max. at 500 VAC 60 Hz
 for 1 minute
 (Between Frame and Terminal)
 WEIGHT : 250g (8.82 oz.)



AIR PERFORMANCE



SPECIFICATION

MODEL NO.	RATED VOLTAGE (V)	OPERATING VOLTAGE (V)	RATED CURRENT (A)	INPUT POWER (W)	SPEED (RPM)	MAX. AIR PRESSURE		AIR FLOW		NOISE dB(A) @ 1M
						mmH ₂ O	InchH ₂ O	CFM	m ³ /min	
D12032V12H	12	10.2 - 13.8	0.60	7.20	3750	10.10	0.40	120	3.40	50
D12032V12M	12	10.2 - 13.8	0.50	6	3300	9.14	0.36	112	3.17	46
D12032V12L	12	10.2 - 13.8	0.32	3.80	2900	6.70	0.26	95	2.69	42
D12032V24H	24	15 - 28	0.45	10.80	3750	10.10	0.40	120	3.40	50
D12032V24M	24	15 - 28	0.28	6.70	3300	9.14	0.36	112	3.17	46
D12032V24L	24	15 - 28	0.22	5.30	2900	6.70	0.26	95	2.69	42
D12032V48H	48	24 - 55.2	0.23	11	3750	10.10	0.40	120	3.40	50
D12032V48M	48	24 - 55.2	0.18	8.60	3300	9.14	0.36	112	3.17	46
D12032V48L	48	24 - 55.2	0.15	7.20	2900	6.70	0.26	95	2.69	42