

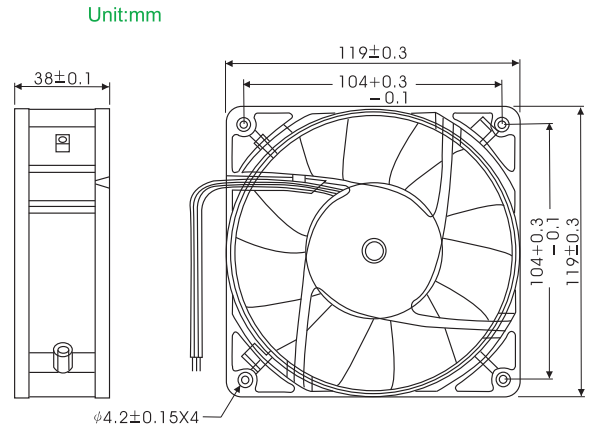


D12038-03 Series

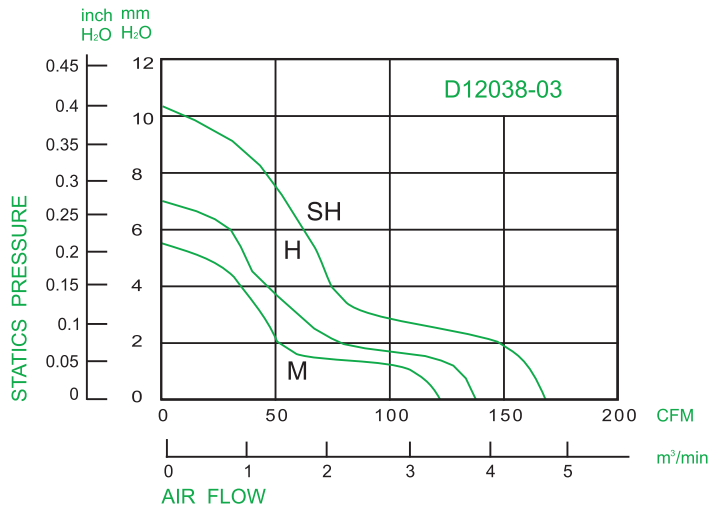
Size: 120x120x38mm (4.72"x4.72"x1.50")

DIMENSION

HOUSING : Thermoplastic PBT, UL94V-0
 IMPELLER : Thermoplastic PBT, UL94V-0 BEARING : Sleeve or Ball
 TERMINATION : Lead Wire
 OPERATING TEMPERATURE : Sleeve Bearing:- 10°C to + 70°C
 Ball Bearing:- 30°C to + 75°C
 INSULATION RESISTANCE : 10 meg Ohms Min. @ 500 VDC
 (Between Frame and Terminal)
 DIELECTRIC STRENGTH : 5 mA Max. at 500 VAC 60 Hz
 for 1 minute
 (Between Frame and Terminal)
 WEIGHT : 420g (14.81 oz.)



AIR PERFORMANCE



SPECIFICATION

MODEL NO.	RATED VOLTAGE (V)	OPERATING VOLTAGE (V)	RATED CURRENT (A)	INPUT POWER (W)	SPEED (RPM)	MAX. AIR PRESSURE		AIR FLOW		NOISE dB(A) @ 1M
						mmH ₂ O	InchH ₂ O	CFM	m ³ /min	
D12038V12SH-03	12	6 ~ 13.8	0.90	10.80	2800	6.99	0.275	149.64	4.237	48.2
D12038V12H-03	12	10.2 - 13.8	1.10	13.20	2900	7.30	0.29	145	4.11	48
D12038V12M-03	12	10.2 - 13.8	1.00	12.00	2400	5.60	0.22	121	3.43	46
D12038V24H-03	24	12 - 27.6	0.70	16.80	3200	8.90	.350	178.42	8.90	51.5
D12038V24M-03	24	20.4 - 27.6	0.60	14.40	2400	5.60	0.22	121	3.43	46
D12038V48H-03	48	40.8 - 55.2	0.40	19.20	2900	7.30	0.29	145	4.11	48
D12038V48M-03	48	40.8 - 55.2	0.18	8.64	2400	5.60	0.22	121	3.43	46