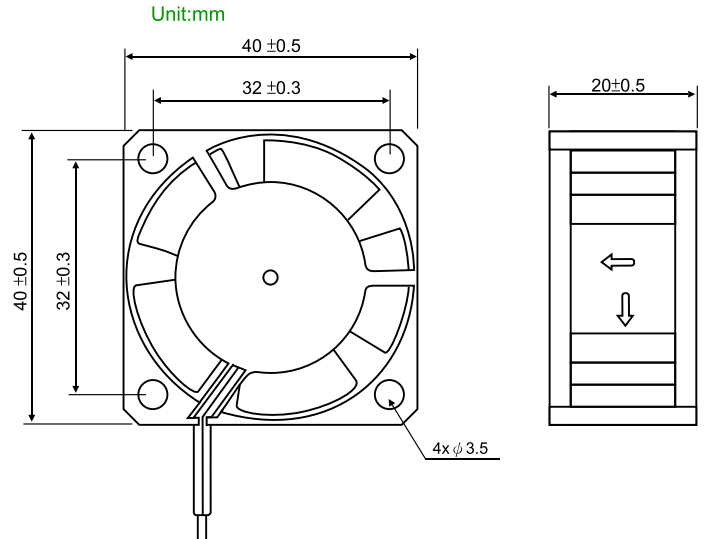


D4020 Series

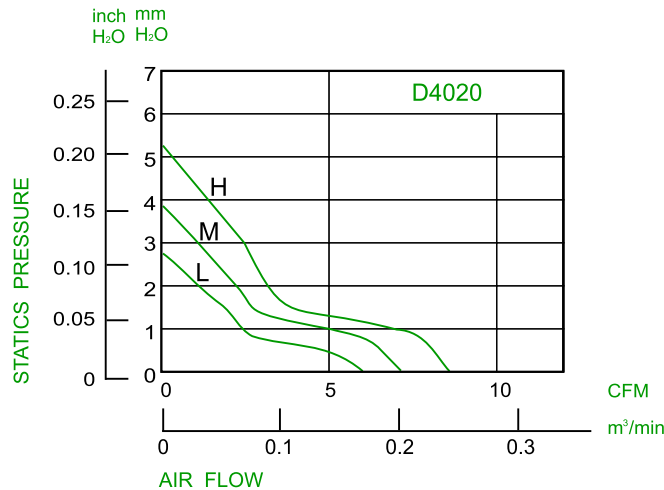
Size: 40x40x20mm (1.57"x1.57"x0.79")

DIMENSION



HOUSING : Thermoplastic PBT, UL94V-0
 IMPELLER : Thermoplastic PBT, UL94V-0
 BEARING : Sleeve or Ball
 OPERATING TEMPERATURE : Sleeve Bearing: - 10°C to + 70°C
 Ball Bearing: - 30°C to + 75°C
 INSULATION RESISTANCE : 10 meg Ohms Min. @ 500 VDC
 (Between Frame and Terminal)
 DIELECTRIC STRENGTH : 5 mA Max. at 500 VAC 60 Hz
 for 1 minute
 (Between Frame and Terminal)
 WEIGHT : 40g (1.41 oz.)

AIR PERFORMANCE



SPECIFICATION

MODEL NO.	RATED VOLTAGE (V)	OPERATING VOLTAGE (V)	RATED CURRENT (A)	INPUT POWER (W)	SPEED (RPM)	MAX. AIR PRESSURE		AIR FLOW		NOISE dB(A) @ 1M
						mmH ₂ O	InchH ₂ O	CFM	m ³ /min	
D4020V5H	5	4.5 - 5.7	0.25	1.25	7000	3.80	0.15	7.77	0.22	31
D4020V5M	5	4.5 - 5.7	0.12	0.60	5000	2	0.08	5	0.14	23
D4020V12H	12	10.2 - 13.8	0.16	1.92	7000	5.31	0.21	8.53	0.24	31
D4020V12M	12	10.2 - 13.8	0.10	1.20	6000	3.91	0.15	7.09	0.20	26
D4020V12L	12	10.2 - 13.8	0.08	0.96	5000	2.80	0.11	6	0.17	22
D4020V24H	24	20.4 - 27.6	0.18	4.32	7000	5.31	0.21	8.53	0.24	31
D4020V24M	24	20.4 - 27.6	0.13	3.12	6000	3.91	0.15	7.09	0.20	26
D4020V24L	24	20.4 - 27.6	0.10	2.40	5000	2.80	0.11	6	0.17	22