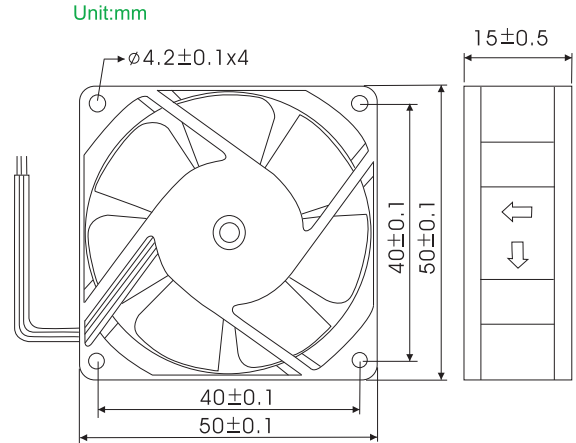


D5015 Series

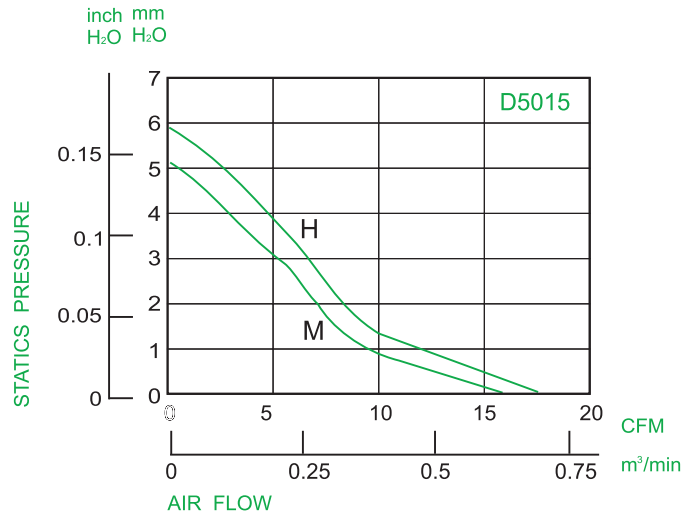
Size: 50x50x15mm (1.97"x1.97"x0.59")

DIMENSION

HOUSING : Thermoplastic PBT, UL94V-0
 IMPELLER : Thermoplastic PBT, UL94V-0
 BEARING : Sleeve or Ball
 OPERATING TEMPERATURE : Sleeve Bearing:- 10°C to + 70°C
 Ball Bearing:- 30°C to + 75°C
 INSULATION RESISTANCE : 10 meg Ohms Min. @ 500 VDC
 (Between Frame and Terminal)
 DIELECTRIC STRENGTH : 5 mA Max. at 500 VAC 60 Hz
 for 1 minute
 (Between Frame and Terminal)
 WEIGHT : 30g (1.06 oz.)



AIR PERFORMANCE



SPECIFICATION

MODEL NO.	RATED VOLTAGE (V)	OPERATING VOLTAGE (V)	RATED CURRENT (A)	INPUT POWER (W)	SPEED (RPM)	MAX. AIR PRESSURE		AIR FLOW		NOISE dB(A) @ 1M
						mmH ₂ O	InchH ₂ O	CFM	m ³ /min	
D5015V12H	12	10.2 - 13.8	0.19	2.28	6300	5.93	0.23	17.22	0.49	38
D5015V12M	12	10.2 - 13.8	0.15	1.80	5600	5.16	0.20	15.75	0.45	35
D5015V12L	12	6 ~ 13.8	0.25	3.00	5600	3.95	0.156	10.95	0.310	36.0