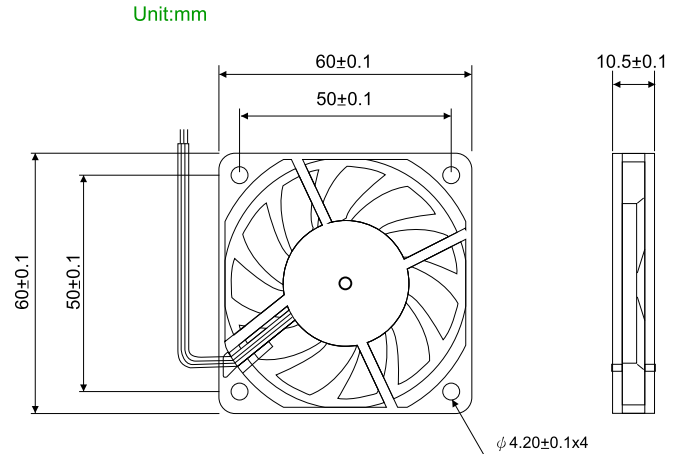


# D6010 Series

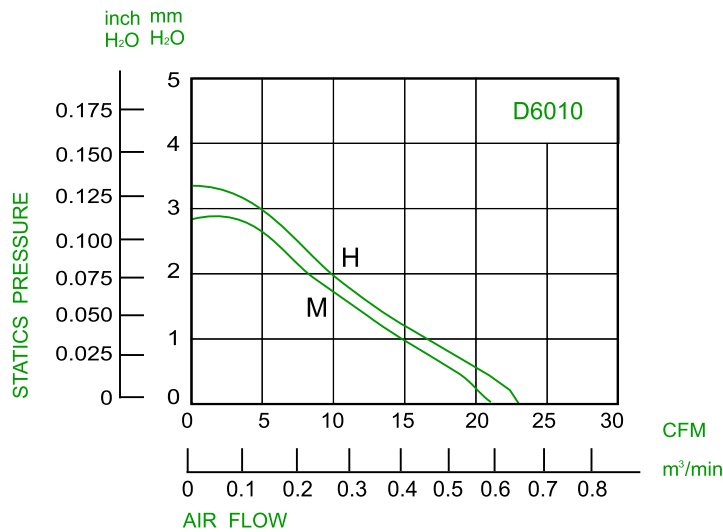
Size: 60x60x10mm (2.36"x2.36"x0.39")

## DIMENSION

HOUSING : Thermoplastic PBT, UL94V-0  
 IMPELLER : Thermoplastic PBT, UL94V-0  
 BEARING : Sleeve or Ball  
 OPERATING TEMPERATURE : Sleeve Bearing:- 10°C to + 70°C  
 Ball Bearing:- 30°C to + 75°C  
 INSULATION RESISTANCE : 10 meg Ohms Min. @ 500 VDC  
 (Between Frame and Terminal)  
 DIELECTRIC STRENGTH : 5 mA Max. at 500 VAC 60 Hz  
 for 1 minute  
 (Between Frame and Terminal)  
 WEIGHT : 30g (1.06 oz.)



## AIR PERFORMANCE



## SPECIFICATION

| MODEL NO. | RATED VOLTAGE (V) | OPERATING VOLTAGE (V) | RATED CURRENT (A) | INPUT POWER (W) | SPEED (RPM) | MAX. AIR PRESSURE  |                      | AIR FLOW |                     | NOISE dB(A) @ 1M |
|-----------|-------------------|-----------------------|-------------------|-----------------|-------------|--------------------|----------------------|----------|---------------------|------------------|
|           |                   |                       |                   |                 |             | mmH <sub>2</sub> O | InchH <sub>2</sub> O | CFM      | m <sup>3</sup> /min |                  |
| D6010V12H | 12                | 10.2 - 13.8           | 0.21              | 2.52            | 4700        | 3.30               | 0.13                 | 23.30    | 0.66                | 37               |
| D6010V12M | 12                | 10.2 - 13.8           | 0.16              | 1.92            | 4200        | 2.84               | 0.11                 | 20.70    | 0.59                | 35               |