

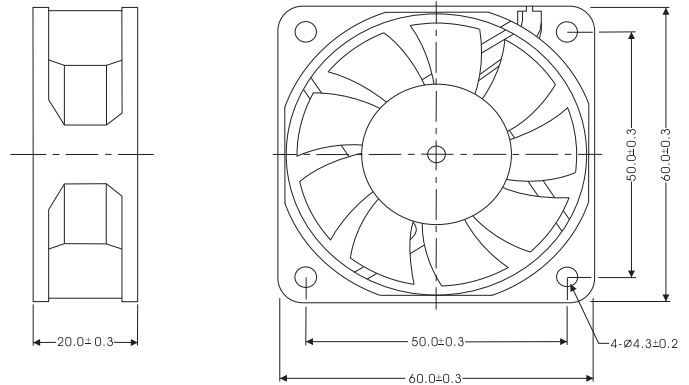
# D6020 Series

Size: 60x60x20mm (2.36"x2.36"x0.79")

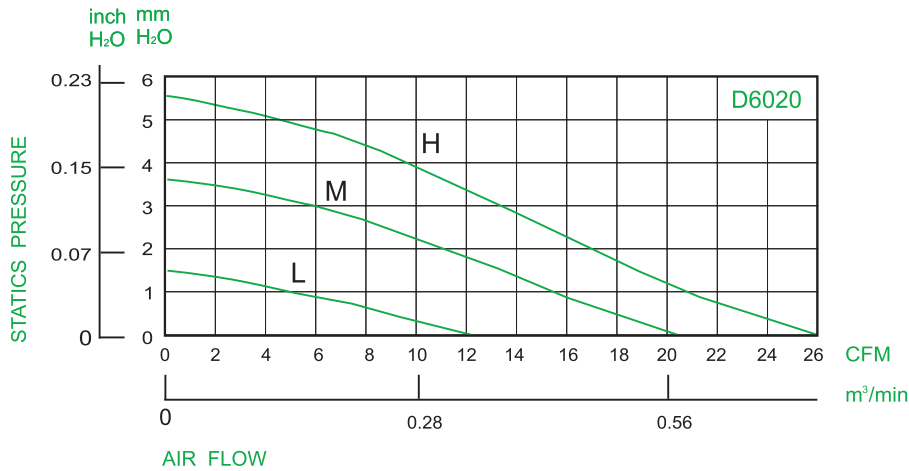
## DIMENSION

Unit:mm

HOUSING : Thermoplastic PBT, UL94V-0  
 IMPELLER : Thermoplastic PBT, UL94V-0  
 BEARING : Sleeve or Ball  
 OPERATING TEMPERATURE : Sleeve Bearing:- 10°C to + 70°C  
 Ball Bearing:- 30°C to + 75°C  
 INSULATION RESISTANCE : 10 meg Ohms Min. @ 500 VDC  
 (Between Frame and Terminal)  
 DIELECTRIC STRENGTH : 5 mA Max. at 500 VAC 60 Hz  
 for 1 minute  
 (Between Frame and Terminal)  
 WEIGHT : 49g (1.73 oz.)



## AIR PERFORMANCE



## SPECIFICATION

MODEL NO.	RATED VOLTAGE (V)	OPERATING VOLTAGE (V)	RATED CURRENT (A)	INPUT POWER (W)	SPEED (RPM)	MAX. AIR PRESSURE		AIR FLOW		NOISE dB(A) @ 1M
						mmH <sub>2</sub> O	InchH <sub>2</sub> O	CFM	m <sup>3</sup> /min	
D6020V12SH	12	10.8 - 13.2	0.24	2.88	5000	5.49	0.22	25.57	0.72	35
D6020V12H	12	10.8 - 13.2	0.17	2.04	4000	3.65	0.14	20.28	0.57	29
D6020V12M	12	10.8 - 13.2	0.12	1.44	3300	2.50	0.10	16.50	0.47	24
D6020V12L	12	10.8 - 13.2	0.08	0.96	2500	1.45	0.06	12.31	0.35	20