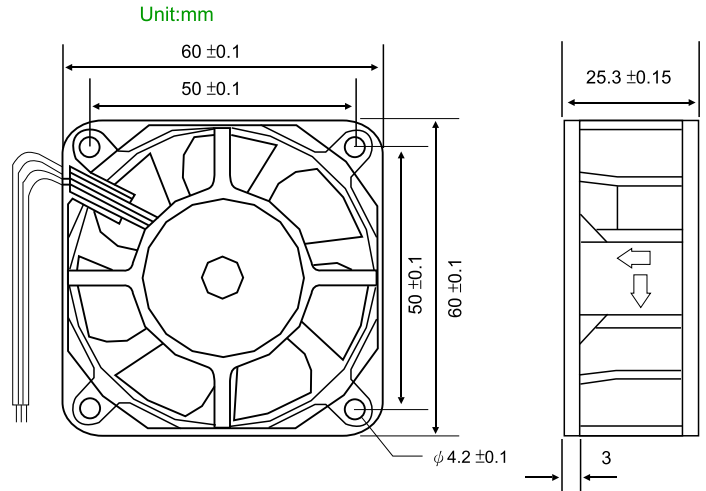


# D6025-03 Series

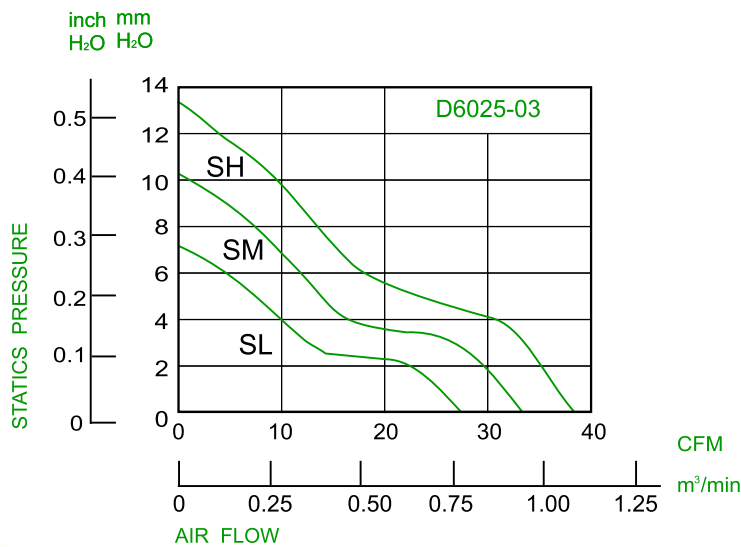
Size: 60x60x25mm (2.36"x2.36"x0.98")

## DIMENSION

HOUSING : Thermoplastic PBT, UL94V-0  
 IMPELLER : Thermoplastic PBT, UL94V-0  
 BEARING : Sleeve or Ball  
 OPERATING TEMPERATURE : Sleeve Bearing:- 10°C to + 70°C  
 Ball Bearing:- 30°C to + 75°C  
 INSULATION RESISTANCE : 10 meg Ohms Min. @ 500 VDC  
 (Between Frame and Terminal)  
 DIELECTRIC STRENGTH : 5 mA Max. at 500 VAC 60 Hz  
 for 1 minute  
 (Between Frame and Terminal)  
 WEIGHT : 75g (2.65 oz.)



## AIR PERFORMANCE



## SPECIFICATION

MODEL NO.	RATED VOLTAGE (V)	OPERATING VOLTAGE (V)	RATED CURRENT (A)	INPUT POWER (W)	SPEED (RPM)	MAX. AIR PRESSURE		AIR FLOW		NOISE dB(A) @ 1M
						mmH <sub>2</sub> O	InchH <sub>2</sub> O	CFM	m <sup>3</sup> /min	
D6025V12SH-03	12	10.2 - 13.8	0.39	4.68	7000	13.40	0.53	38.40	1.09	47
D6025V12SM-03	12	10.2 - 13.8	0.34	4.08	6000	10.30	0.41	33.20	0.94	42
D6025V12SL-03	12	10.2 - 13.8	0.23	2.76	5000	7.25	0.29	27.40	0.78	38
D6025V24SM-03	24	20.4 - 27.6	0.18	4.32	6000	10.30	0.41	33.20	0.94	42
D6025V24SL-03	24	20.4 - 27.6	0.13	3.12	5000	7.25	0.29	27.40	0.78	38