



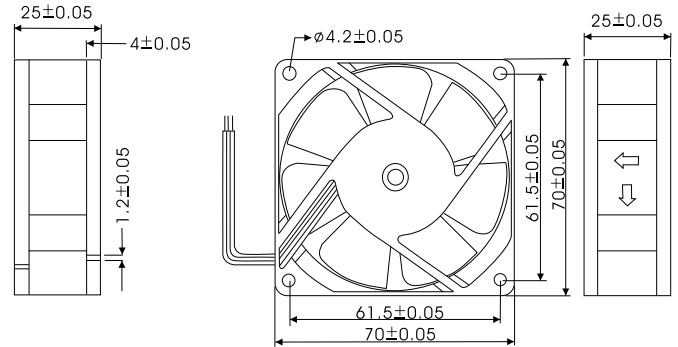
D7025 Series

Size: 70x70x25mm (2.76"x2.76"x0.98")

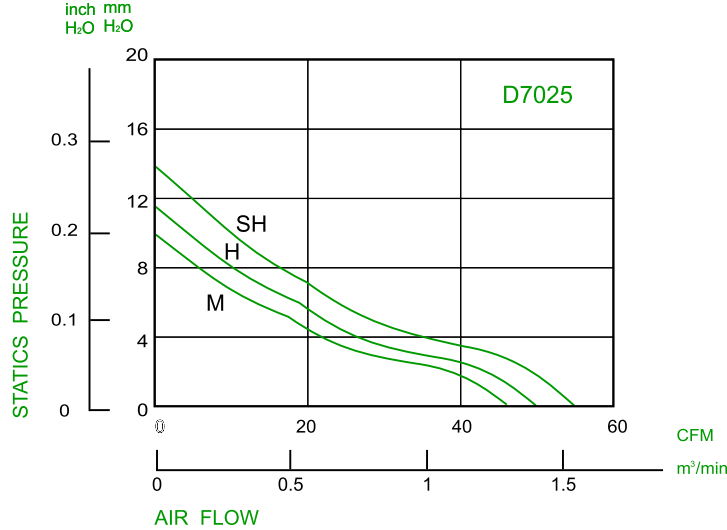
DIMENSION

Unit:mm

HOUSING : Thermoplastic PBT, UL94V-0
 IMPELLER : Thermoplastic PBT, UL94V-0 BEARING : Sleeve or Ball
 OPERATING TEMPERATURE : Sleeve Bearing:- 10°C to + 70°C
 Ball Bearing:- 30°C to + 75°C
 INSULATION RESISTANCE : 10 meg Ohms Min. @ 500 VDC
 (Between Frame and Terminal)
 DIELECTRIC STRENGTH : 5 mA Max. at 500 VAC 60 Hz
 for 1 minute
 (Between Frame and Terminal)
 WEIGHT : 85g (3 oz.)



AIR PERFORMANCE



SPECIFICATION

| MODEL NO. | RATED VOLTAGE (V) | OPERATING VOLTAGE (V) | RATED CURRENT (A) | INPUT POWER (W) | SPEED (RPM) | MAX. AIR PRESSURE | | AIR FLOW | | NOISE dB(A) @ 1M |
|------------|-------------------|-----------------------|-------------------|-----------------|-------------|--------------------|----------------------|----------|---------------------|------------------|
| | | | | | | mmH ₂ O | InchH ₂ O | CFM | m ³ /min | |
| D7025V12SH | 12 | 12.2 - 13.8 | 0.62 | 7.44 | 6000 | 14 | 0.55 | 54 | 1.53 | 48 |
| D7025V12H | 12 | 10.2 - 13.8 | 0.52 | 6.24 | 5500 | 11.49 | 0.45 | 49.36 | 1.40 | 45 |
| D7025V12M | 12 | 10.2 - 13.8 | 0.33 | 3.96 | 5000 | 9.88 | 0.39 | 45.31 | 1.28 | 43 |