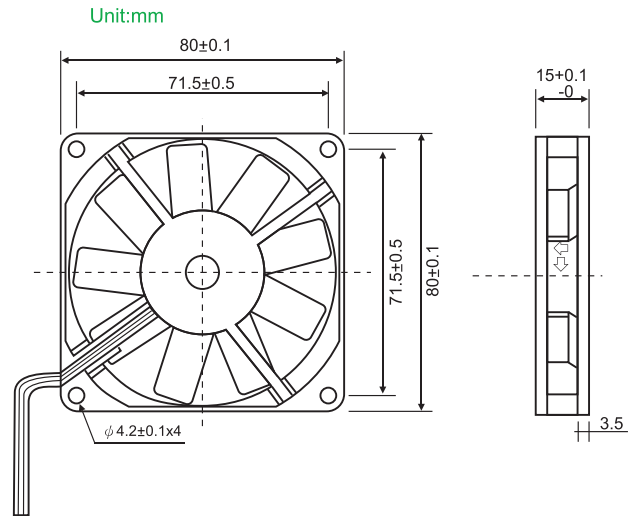


# D8015 Series

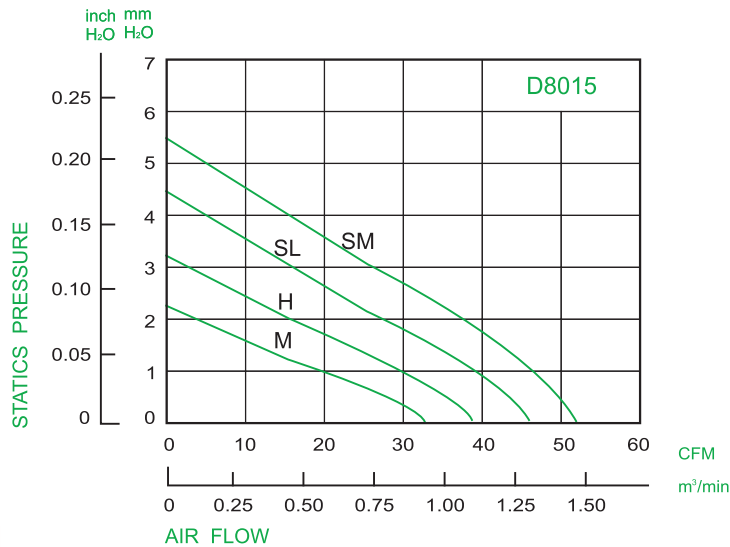
Size: 80x80x15mm (3.15"x3.15"x0.59")

## DIMENSION



HOUSING : Thermoplastic PBT, UL94V-0  
 IMPELLER : Thermoplastic PBT, UL94V-0 BEARING : Sleeve or Ball  
 OPERATING TEMPERATURE : Sleeve Bearing:- 10°C to + 70°C  
 Ball Bearing:- 30°C to + 75°C  
 INSULATION RESISTANCE : 10 meg Ohms Min. @ 500 VDC  
 (Between Frame and Terminal)  
 DIELECTRIC STRENGTH : 5 mA Max. at 500 VAC 60 Hz  
 for 1 minute  
 (Between Frame and Terminal)  
 WEIGHT : 59g (2.08 oz.)

## AIR PERFORMANCE



## SPECIFICATION

MODEL NO.	RATED VOLTAGE (V)	OPERATING VOLTAGE (V)	RATED CURRENT (A)	INPUT POWER (W)	SPEED (RPM)	MAX. AIR PRESSURE		AIR FLOW		NOISE dB(A) @ 1M
						mmH <sub>2</sub> O	InchH <sub>2</sub> O	CFM	m <sup>3</sup> /min	
D8015V5H	5	3 - 5	.32	2.50	2500	3.00	.11	30	1.05	28
D8015V12SM	12	10.2 - 13.8	0.45	5.40	4000	5.50	0.22	51	1.44	42
D8015V12SL	12	10.2 - 13.8	0.35	4.20	3500	4.40	0.17	45	1.27	40
D8015V12H	12	10.2 - 13.8	0.22	2.64	3000	3.20	0.13	39	1.10	35
D8015V12M	12	10.2 - 13.8	0.17	2.04	2500	2.30	0.09	32	0.91	31
D8015V12SMB-Y	12	6 ~ 13.8	0.40	4.80	4000	7.31	0.288	46.81	1.325	44.1
D8015V24SL	24	20.4 - 27.6	0.18	4.32	3500	4.40	0.17	45	1.27	40
D8015V24H	24	20.4 - 27.6	0.14	3.36	3000	3.20	0.13	39	1.10	35
D8015V24M	24	20.4 - 27.6	0.12	2.88	2500	2.30	0.09	32	0.91	31