



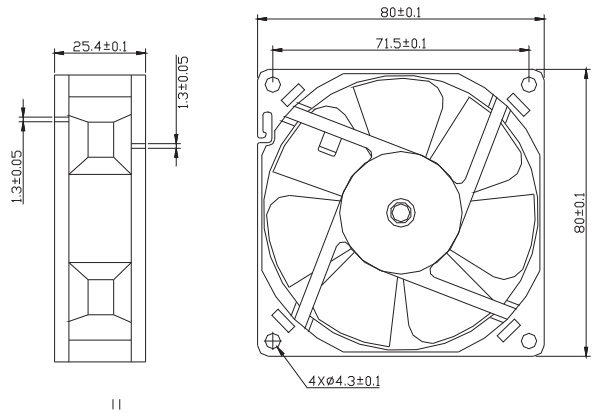
D8025-03 Series

Size: 80x80x25mm (3.15"x3.15"x0.98")

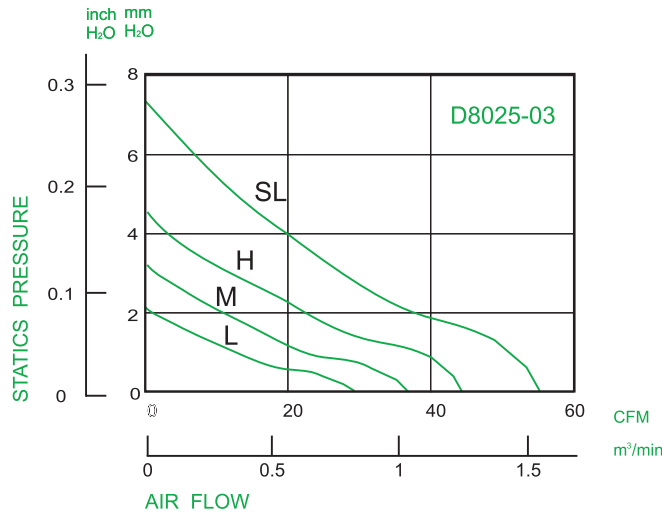
DIMENSION

Unit:mm

HOUSING : Thermoplastic PBT, UL94V-0
 IMPELLER : Thermoplastic PBT, UL94V-0
 BEARING : Sleeve or Ball
 OPERATING TEMPERATURE : Sleeve Bearing:- 10°C to + 70°C
 Ball Bearing:- 30°C to + 75°C
 INSULATION RESISTANCE : 10 meg Ohms Min. @ 500 VDC
 (Between Frame and Terminal)
 DIELECTRIC STRENGTH : 5 mA Max. at 500 VAC 60 Hz
 for 1 minute
 (Between Frame and Terminal)
 WEIGHT : 85g (3 oz.)



AIR PERFORMANCE



SPECIFICATION

MODEL NO.	RATED VOLTAGE (V)	OPERATING VOLTAGE (V)	RATED CURRENT (A)	INPUT POWER (W)	SPEED (RPM)	MAX. AIR PRESSURE		AIR FLOW		NOISE dB(A) @ 1M
						mmH ₂ O	InchH ₂ O	CFM	m ³ /min	
D8025V12SH-03	12	10.2 - 13.8	0.40	4.80	4000	7.38	0.29	55.53	1.57	41
D8025V12H-03	12	10.2 - 13.8	0.30	3.60	3300	4.54	0.18	44	1.25	36
D8025V12M-03	12	10.2 - 13.8	0.20	2.40	2700	3.24	0.13	37	1.05	30
D8025V12L-03	12	10.2 - 13.8	0.15	1.80	2100	2.18	0.09	30	0.85	24
D8025V24SH-03	24	20.4 - 27.6	0.25	6.00	4000	7.38	0.29	55.53	1.57	41
D8025V24H-03	24	20.4 - 27.6	0.21	5.04	3300	4.54	0.18	44	1.25	36
D8025V24M-03	24	20.4 - 27.6	0.17	4.80	2700	3.24	0.13	37	1.05	30
D8025V24L-03	24	20.4 - 27.6	0.12	2.88	2100	2.18	0.09	30	0.85	24