

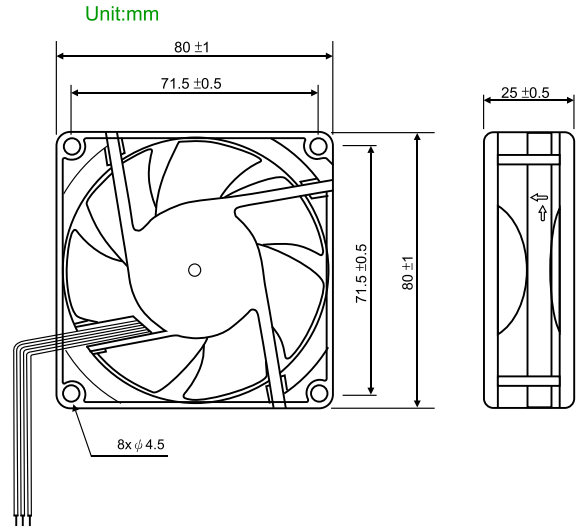


D8025 Series

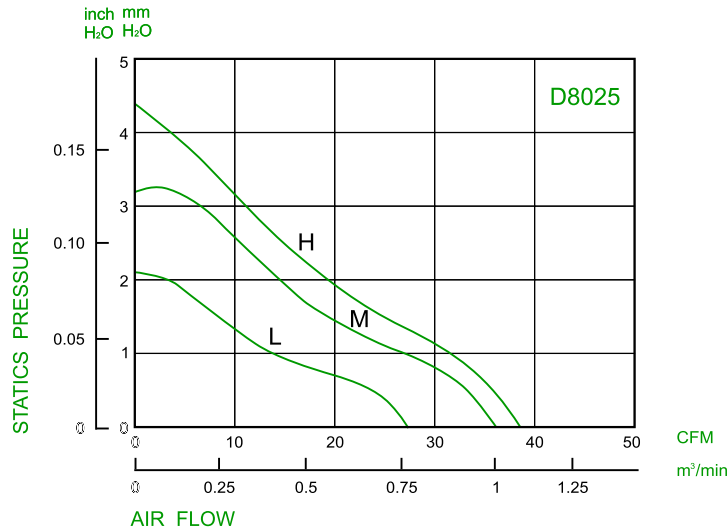
Size: 80x80x25mm (3.15"x3.15"x0.98")

DIMENSION

HOUSING : Thermoplastic PBT, UL94V-0
 IMPELLER : Thermoplastic PBT, UL94V-0 BEARING : Sleeve or Ball
 OPERATING TEMPERATURE : Sleeve Bearing:- 10°C to + 70°C
 Ball Bearing:- 30°C to + 75°C
 INSULATION RESISTANCE : 10 meg Ohms Min. @ 500 VDC
 (Between Frame and Terminal)
 DIELECTRIC STRENGTH : 5 mA Max. at 500 VAC 60 Hz
 for 1 minute
 (Between Frame and Terminal)
 WEIGHT : 1 00g (3.53 oz.)



AIR PERFORMANCE



SPECIFICATION

| MODEL NO. | RATED VOLTAGE (V) | OPERATING VOLTAGE (V) | RATED CURRENT (A) | INPUT POWER (W) | SPEED (RPM) | MAX. AIR PRESSURE | | AIR FLOW | | NOISE dB(A) @ 1M |
|-----------|-------------------|-----------------------|-------------------|-----------------|-------------|--------------------|----------------------|----------|---------------------|------------------|
| | | | | | | mmH ₂ O | InchH ₂ O | CFM | m ³ /min | |
| D8025V12H | 12 | 10.2 - 13.8 | 0.20 | 2.40 | 3000 | 4.40 | 0.17 | 40 | 1.13 | 35 |
| D8025V12M | 12 | 10.2 - 13.8 | 0.16 | 1.92 | 2800 | 3 | 0.12 | 33 | 0.93 | 32 |
| D8025V12L | 12 | 10.2 - 13.8 | 0.12 | 1.44 | 2100 | 2.45 | 0.10 | 27.80 | 0.79 | 25 |
| D8025V24H | 24 | 20.4 - 27.6 | 0.13 | 3.12 | 3000 | 3.23 | 0.13 | 37.49 | 1.06 | 35 |
| D8025V24M | 24 | 20.4 - 27.6 | 0.11 | 2.64 | 2800 | 3 | 0.12 | 33 | 0.93 | 32 |
| D8025V24L | 24 | 20.4 - 27.6 | 0.09 | 2.16 | 2100 | 2.45 | 0.10 | 27.80 | 0.79 | 25 |