

D8038 Series

Size: 80x80x38 mm

Fan housing :

- Material for size larger than 60x60x10mm is Thermoplastic UL 94V-0 PBT (30% Fiber)
- Material for size equal or smaller than 60x60x10mm is Thermoplastic UL 94V-0 PBT (15% Fiber)

Fan blade :

- Material is Thermoplastic UL 94V-0 PBT (15% Fiber)

Lead wire :

- AWG # 28/30 for size equal or smaller than 40x40x8mm, 150mm length, material is UL approved
- AWG # 26/28 for size between 40x40x10mm to 60x60x15mm, 300mm length, material is UL approved
- AWG # 24/26 for size between 60x60x25mm to 120x120x38mm, 300mm length, material is UL approved

Insulation resistance :

- Minimum 10M at 500VDC between housing and both lead wires

Dielectric strength :

- Withstand 600VAC for one minute 1mA between housing and both lead wires

Operating temperature :

- $-10^{\circ}\text{C} \sim +70^{\circ}\text{C}$, high/low temperature test for 24 hours, temperature change: $30^{\circ}\text{C}/\text{hour}$

Storage temperature :

- $-40^{\circ}\text{C} \sim +70^{\circ}\text{C}$, high/low temperature test for 24 hours, temperature change: $30^{\circ}\text{C}/\text{hour}$

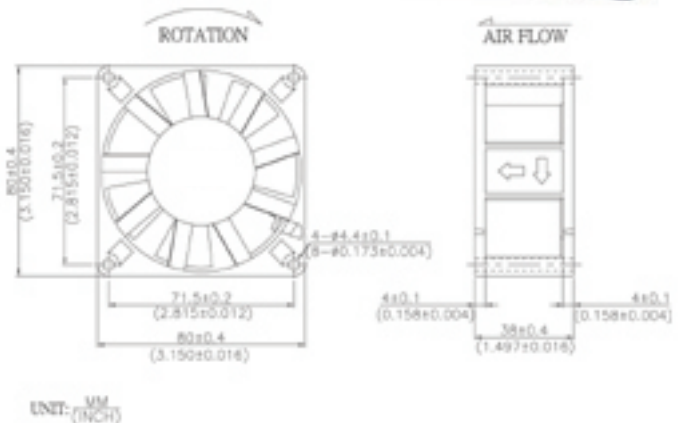
Basic locked rotor protection :

- no coil & board damaged

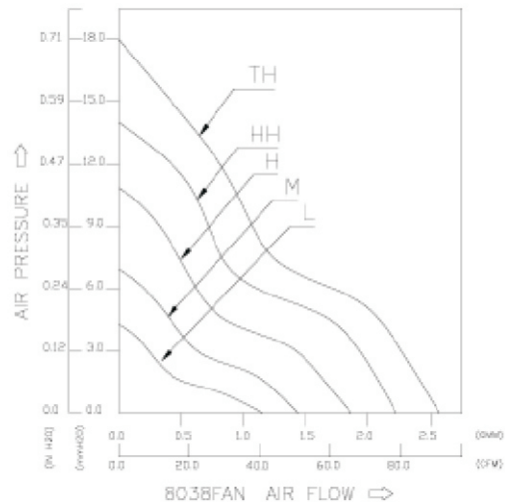
Optional device :

- Lock rotor protection with FG/RD signal output
- Temperature sensor
- Techometer output

DIMENSION



AIR PERFORMANCE



SPECIFICATION

Model Number	Rated Voltage V	Operating Voltage V	Rated Current A	Actual Current A	Rated Power W	Rated Speed RPM	Max. Air Flow		Max. Static Air Pressure		Noise Level dBA
							CMM	CFM	mm H ₂ O	In H ₂ O	
D8038V12H	12	8~13.8	1.00	0.76	12.00	5000	2.224	78.53	13.99	0.551	54.7
D8038V24H	24	18 ~ 27.6	0.60	0.45	14.40	5000	2.224	78.53	13.99	0.551	54.7
D8038V48H	48	38~52.8	0.35	0.19	16.80	5000	2.224	78.53	13.99	0.551	54.7