

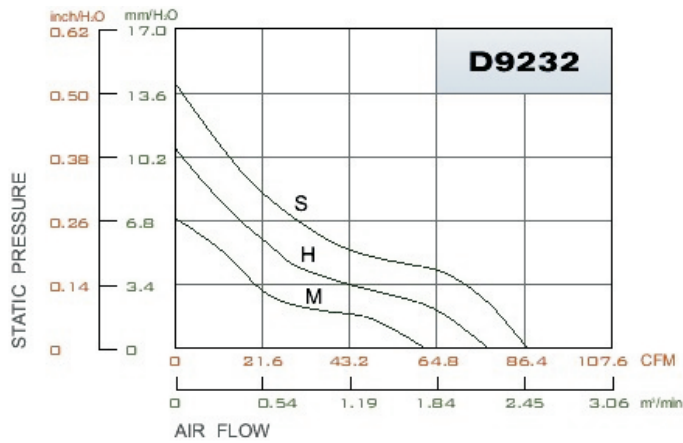
## D9232 Series

### 92X92X32mm (3.62"X3.62"X1.25")

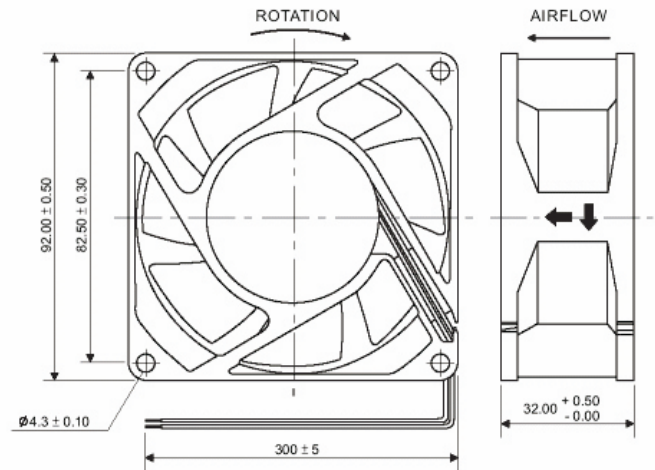
HOUSING	Thermoplastic PBT, UL94V-0
IMPELLER	Thermoplastic PBT, UL94V-0
BEARING	Sleeve or Ball
OPERATING TEMPERATURE	Sleeve Bearing:-10 °C to +70 °C Ball Bearing:-30 °C to +75 °C
INSULATION RESISTANCE	10 meg Ohms Min.@500 VDC (Between Frame and Terminal)
DIELECTRIC STRENGTH	5 mA Max. at 500 VAC 60Hz for 1 minute (Between Frame and Terminal)
WEIGHT	183g



### AIR PERFORMANCE



Unit:mm



### SPECIFICATION

MODEL NO.	RATED VOLTAGE (V)	RATED CURRENT (A)	INPUT POWER (W)	SPEED (RPM)	MAX. AIR PRESSURE		Maximum Air Flow		NOISE dB(A) @1M
					inchH <sub>2</sub> O	mmH <sub>2</sub> O	CFM	m <sup>3</sup> /min	
D9232V12SH	12	0.80	9.6	4700	0.56	14.3	86.8	2.45	51
D9232V12H	12	0.49	5.88	4000	0.42	10.7	73.3	2.07	47
D9232V12M	12	0.27	3.24	3200	0.27	6.9	58.7	1.66	42
D9232V24SH	24	0.42	10.08	4700	0.56	14.3	86.8	2.45	51
D9232V24H	24	0.26	6.24	4000	0.42	10.7	73.3	2.07	47
D9232V24M	24	0.17	4.08	3200	0.27	6.9	58.7	1.66	42
D9232V48H	48	0.21	10.08	4000	0.42	10.7	73.3	2.07	47
D9232V48M	48	0.12	5.76	3200	0.27	6.9	58.7	1.66	42