

D9238 Series

Size: 92x92x38 mm



Fan housing :

- Material for size larger than 60x60x10mm is Thermoplastic UL 94V-0 PBT (30% Fiber)
- Material for size equal or smaller than 60x60x10mm is Thermoplastic UL 94V-0 PBT (15% Fiber)

Fan blade :

- Material is Thermoplastic UL 94V-0 PBT (15% Fiber)

Lead wire :

- AWG # 28/30 for size equal or smaller than 40x40x8mm, 150mm length, material is UL approved
- AWG # 26/28 for size between 40x40x10mm to 60x60x15mm, 300mm length, material is UL approved
- AWG # 24/26 for size between 60x60x25mm to 120x120x38mm, 300mm length, material is UL approved

Insulation resistance :

- Minimum 10M at 500VDC between housing and both lead wires

Dielectric strength :

- Withstand 600VAC for one minute 1mA between housing and both lead wires

Operating temperature :

- $-10^{\circ}\text{C} \sim +70^{\circ}\text{C}$, high/low temperature test for 24 hours, temperature change: $30^{\circ}\text{C}/\text{hour}$

Storage temperature :

- $-40^{\circ}\text{C} \sim +70^{\circ}\text{C}$, high/low temperature test for 24 hours, temperature change: $30^{\circ}\text{C}/\text{hour}$

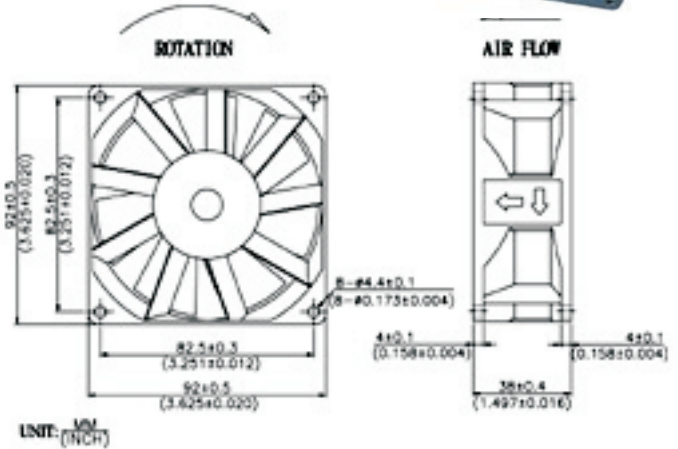
Basic locked rotor protection :

- no coil & board damaged

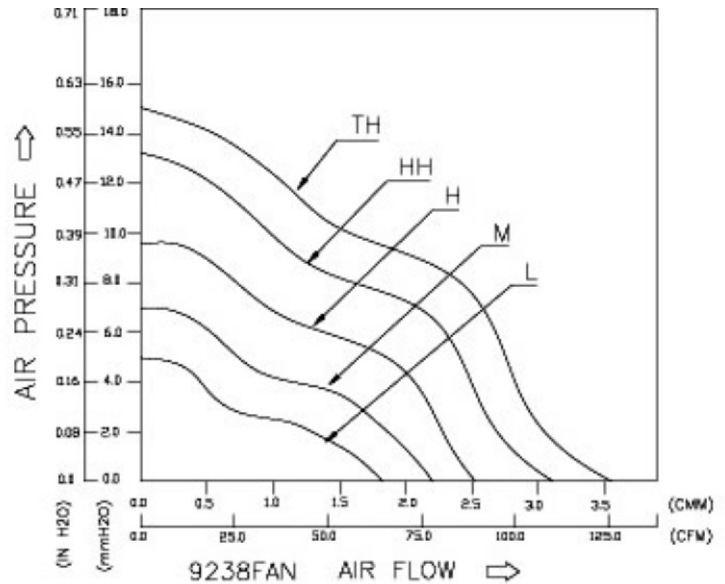
Optional device :

- Lock rotor protection with FG/RD signal output
- Temperature sensor
- Techometer output

DIMENSION



AIR PERFORMANCE



SPECIFICATION

Model Number	Rated Voltage V	Operating Voltage V	Rated Current A	Actual Current A	Rated Power W	Rated Speed RPM	Max. Air Flow		Max. Static Air Pressure		Noise Level dBA
							CMM	CFM	mm H ₂ O	In H ₂ O	
D9238V12SH	12	8 - 13.8	0.90		10.80	4400	3.030	107.01	12.40	0.488	54.3
D9238V12H	12	8 - 13.8	0.60		7.20	3800	2.513	88.73	9.77	0.385	49.9
D9238V12M	12	8 - 13.8	0.40		4.80	3200	2.245	79.29	7.10	0.280	45.6
D9238V12L	12	8 - 13.8	0.25		3.00	2600	0.183	6.46	4.88	0.192	39.9