

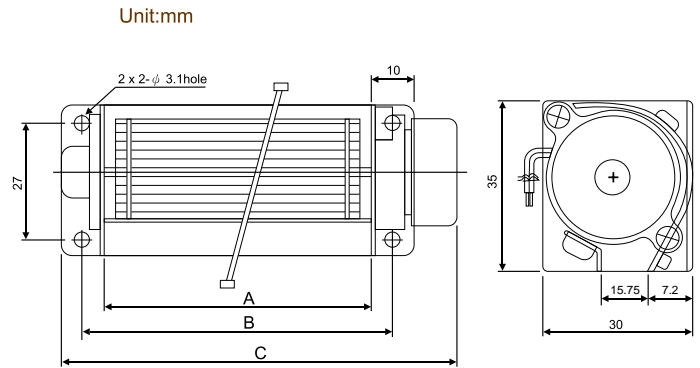
# DF25 Series

DC CROSS FLOW FAN



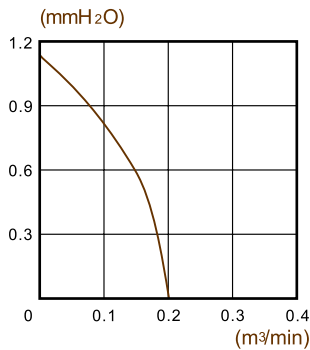
## DIMENSION

HOUSING : Metal /Aluminum  
 IMPELLER : Aluminum, diameter 25 mm  
 BEARING : Sleeve or Ball  
 OPERATING TEMPERATURE : Sleeve bearing: 0°C to + 45°C  
 Ball bearing: -20°C to +70°C  
 MOTOR TYPE : DC Brushless Motor  
 DIELECTRIC STRENGTH : 5mA Max. at 500 VAC 60 Hz for 1 minute  
 (Between Frame and Terminal)  
 INSULATION : Class E  
 INSULATION RESISTANCE : 10 MEG Ohms Min. @500 VDC  
 (Between Frame and Terminal)  
 SAFETY : Impedance Protected

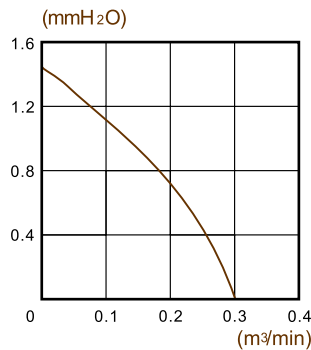


## AIR PERFORMANCE

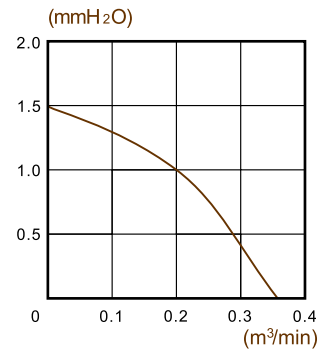
**DF25098**



**DF25160**



**DF25198**



## SPECIFICATION

MODEL NO.	DIMENSION (MM)			RATED VOLTAGE (V)	RATED CURRENT (A)	SPEED (RPM)	MAX. AIR PRESSURE (mmH <sub>2</sub> O)	AIR FLOW		NOISE dB(A) @ 1M	WEIGHT (g)
	A	B	C					CFM	m <sup>3</sup> /min		
DF25098V12	98	108	129	12	0.07	4000	1.10	7.42	0.20	36	80
DF25160V12	160	170	191	12	0.09	3500	1.40	11.66	0.30	39	105
DF25198V12	198	208	229	12	0.11	3200	1.50	12.37	0.35	40	120