

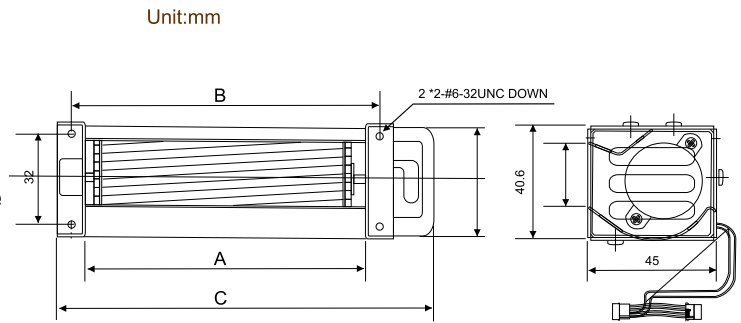
DF30A Series

DC CROSS FLOW FAN



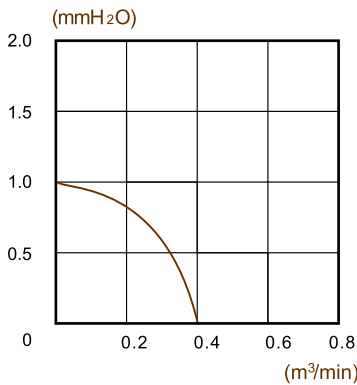
DIMENSION

HOUSING : Metal /Aluminum
 IMPELLER : Aluminum, diameter 30 mm
 BEARING : Sleeve or Ball
 OPERATING TEMPERATURE : Sleeve bearing: 0°C to + 45°C
 Ball bearing: -20 °C to + 70 °C
 MOTOR TYPE : DC Brushless Motor
 DIELECTRIC STRENGTH : 5mA Max. at 500 VAC 60 Hz for 1 minute
 (Between Frame and Terminal)
 INSULATION : Class E
 INSULATION RESISTANCE : 10 MEG Ohms Min. @500 VDC
 (Between Frame and Terminal)
 SAFETY : Impedance Protected

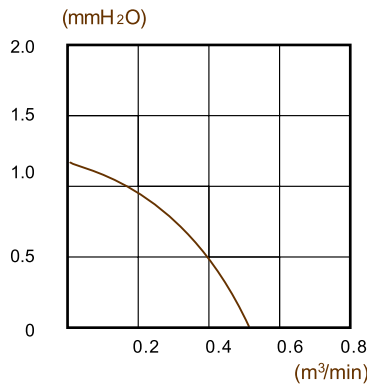


AIR PERFORMANCE

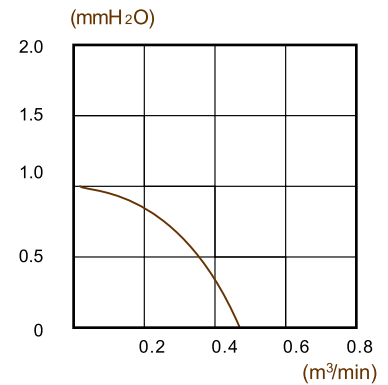
DF30078V12HA



DF30098V12HA



DF30098V12MA



SPECIFICATION

MODEL NO.	DIMENSION (MM)			RATED VOLTAGE (V)	RATED CURRENT (A)	SPEED (RPM)	MAX. AIR PRESSURE (mmH ₂ O)	AIR FLOW		NOISE dB(A) @ 1M	WEIGHT (g)
	A	B	C					CFM	m ³ /min		
DF30098V12HA	98	108	132	12	0.17	3900	1.20	17.67	0.50	40	170
DF30098V12MA	98	108	132	12	0.16	3500	1.00	15.90	0.45	38	170