

DFA32 Series

DC CROSS FLOW FAN



DIMENSION

HOUSING : Metal / Aluminum

IMPELLER : Aluminum, diameter 32 mm

BEARING : Ball or Sleeve

OPERATING TEMPERATURE : Sleeve bearing: -10 °C to + 70 °C
Ball bearing: -30 °C to + 75 °C

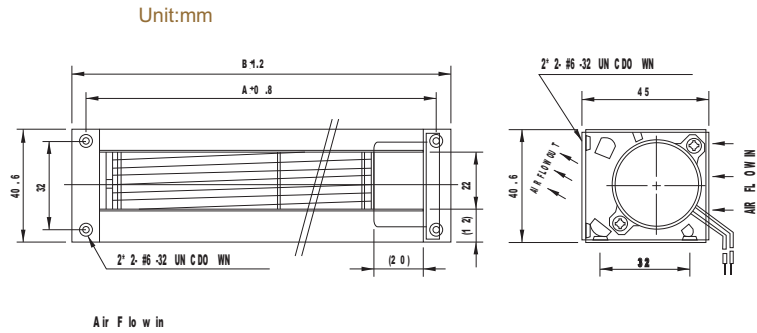
MOTOR TYPE : DC Brush Type Motor

DIELECTRIC STRENGTH : 5mA Max. at 500 VAC 60 Hz for 1 minute
(Between Frame and Terminal)

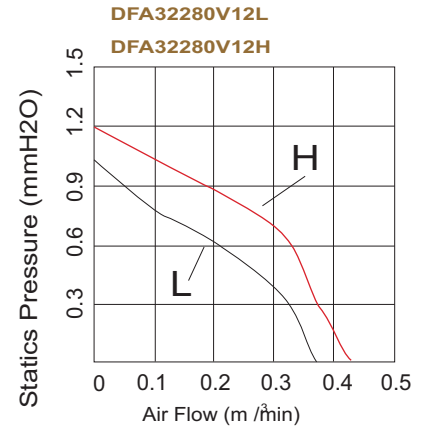
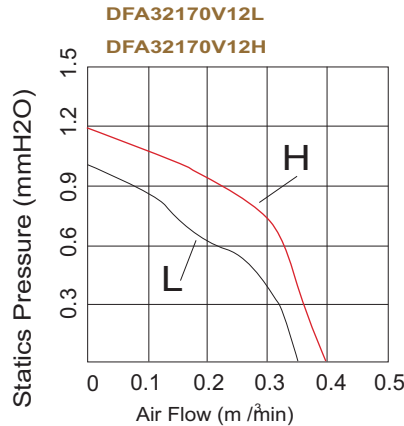
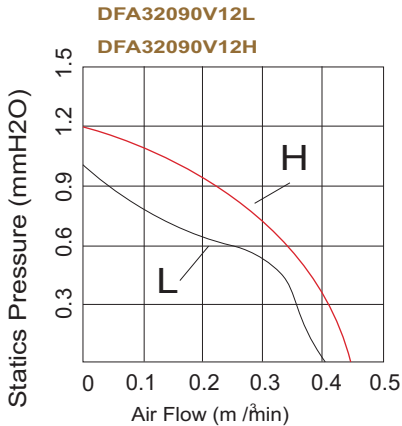
INSULATION : Class E

INSULATION RESISTANCE : 10 MEG Ohms Min. @500 VDC
(Between Frame and Terminal)

SAFETY : Impedance Protected



AIR PERFORMANCE



SPECIFICATION

MODEL NO.	SIZE (mm)		RATED VOLTAGE (V)	RATED CURRENT (A)	SPEED R.P.M.	STATIC PRESSURE mmAq	MAXIMUN AIR FLOW m³/mm	NOISE dB (A) @ 1M	WEIGHT (g)
	A	B							
DFA32090V12L	125	135	12	0.15	3600	1.0	0.4	33	160
DFA32090V12H	125	135	12	0.17	4200	1.2	0.45	37	160
DFA32170V12L	208	218	12	0.19	3200	1.0	0.7	32	205
DFA32170V12H	208	.218	12	0.23	3600	1.2	0.8	35	205
DFA32280V12H	310	320	12	0.30	3400	1.2	1.3	35	250